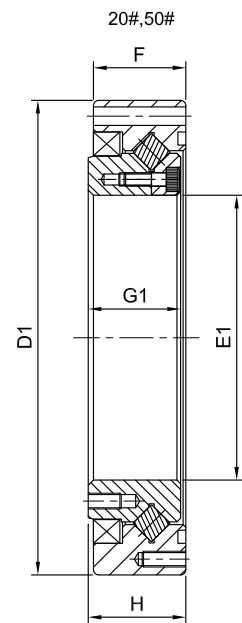
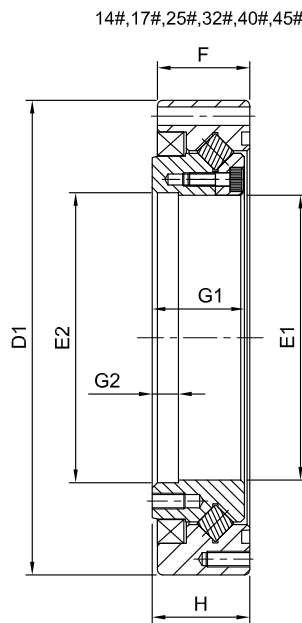
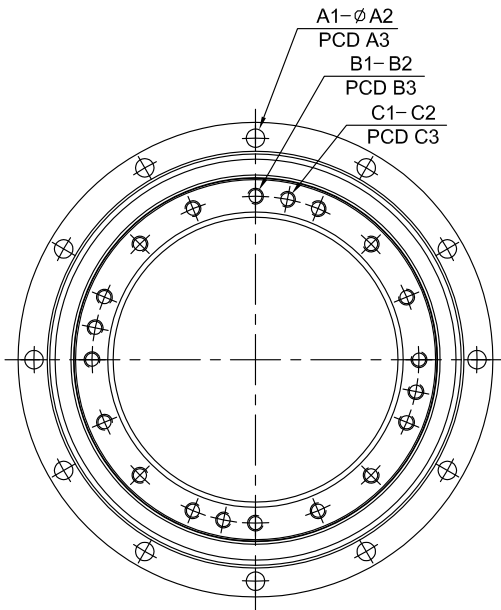


クロスローラーベアリング Cross Roller Bearing

MODEL : CLH



Code \ サイズ	14	17	20	25	32	40	45	50
A1	8	12	12	12	12	12	18	12
A2	3.5	3.5	3.5	4.5	5.5	6.5	6.5	9
A3	64	74	84	102	132	158	180	200
B1	12	20	16	16	16	16	12	16
B2	M3xP0.5	M3xP0.5	M3xP0.5	M4xP0.7	M5xP0.8	M6xP1.0	M8xP1.25	M8xP1.25
B3	44	54	62	77	100	122	140	154
C1	-	-	4	4	4	4	4	8
C2	-	-	M3xP0.5	M3xP0.5	M4xP0.7	M5xP0.8	M5xP0.8	M5xP0.8
C3	-	-	62	77	100	122	140	154
D1	70	80	90	110	142	170	190	214
E1	36	45.5	54	66	84	106	118	135
E2	38	47	-	68	88	108	120	-
F	14.1	16	17.5	18.7	23.4	29	32	34
G1	14.6	16.4	17.5	19.7	23.4	28.5	31.5	34.5
G2	5	6.5	-	7.5	8	9.5	10	-
H	15.1	17	18.5	20.7	24.4	30	33	36
オーリング O-Ring	d53.7x1.78t	d63.22x1.78t	d70.5x2t	d84.5x2t	d114x2t	d139.37x2.62t	d158.42x2.62t	d171.12x2.62t