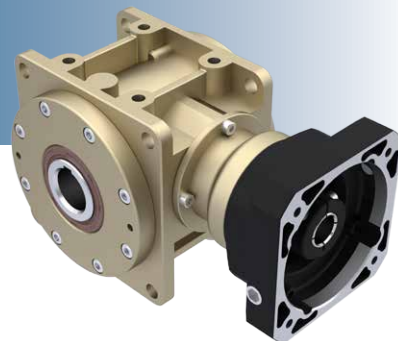


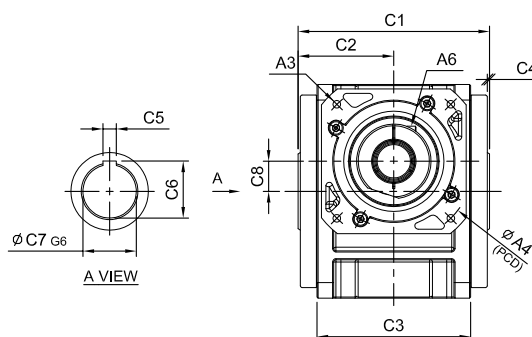
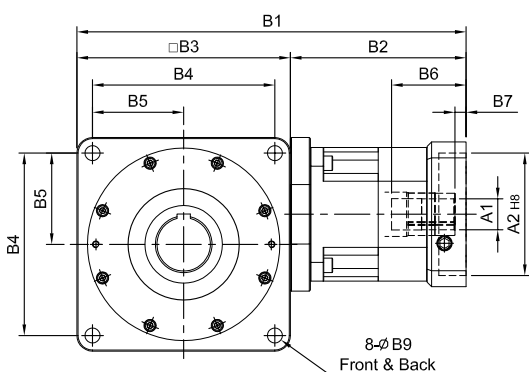
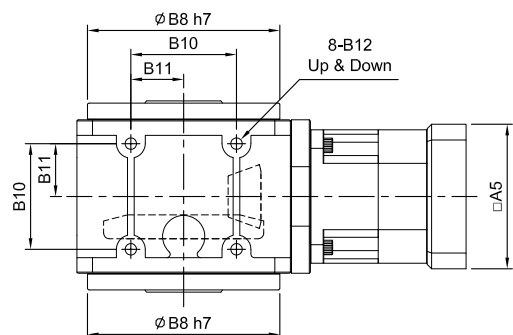
# HY-RO series

RATIO : 25.50.75.100.150 ( 雙段 2-Stage)



搭配行星減速機 - 出力中空軸

Fitted with Planetary Reducer - Hollow Output Shaft



(140#~270#)

$\phi A1$	D	E
$\phi 28$	8	31.3
$\phi 32$	10	35.3
$\phi 35$	10	38.3
$\phi 38$	10	41.3
$\phi 42$	12	45.3
$\phi 48$	14	51.8
$\phi 55$	16	59.3

unit: mm

Model Code	55		75		90		115		130		140		160		190		230		270																													
	A1	8	9	11	14	11	14	16	19	(14)	16	19	16	19	22	24	28	32	35	38	42	48	55	35	38	42	48	55	114.3	180	230	250	114.3	180	230	250	114.3	180	230	250								
A2	30		40		50		60		70		80		95		70		80		95		110		130		180		110		130		180		114.3		180		230		250									
A3	M3		M4		M5		M4		M5		M6		M5		M6		M8		M6		M8		M10		M8		M10		M12		M12		M12		M16		M12		M16		M12		M16					
A4	46		60		63		70		75		90		70		90		100		115		145		165		145		165		200		215		265		300		200		215		265		300					
A5	46		55		64		70		80		80		92		110		92		110		130		122		130		150		146		150		190		146		150		190		182		200		250		265	
A6	M3		x P0.5		M5		x P0.8		M5		x P0.8		M6		x P1.0		M8		x P1.25		M10		x P1.5		M10		x P1.5		M10		x P1.5		M10		x P1.5		M10		x P1.5		M10		x P1.5					
B1	157		201		209		(224.5)		237		287		340		360		405		430		508		510		572		642.5																					
B2	67		86		94		(84.5)		97		117		148		168		190		190		244		246		272		292.5																					
B3	90		115		140		170		192		215		240		264		300		350																													
B4	78		98		118		144		164		182		206		224		260		300																													
B5	39		49		59		72		82		91		103		112		130		150																													
B6	26	30.5	32	33.5	41.5	(33.5)	45.5	59	67	83	84.5	84.5	114.5	116.5	114.5	117.5	114.5	117.5	12.5																													
B7	5		6		(6)		10		9		10		11		10		10		11.5		13.5		11.5		12.5																							
B8	84		103		128		148		173		200		227		254		295		328																													
B9	6.8		9		11		11		13.5		15		17.5		17.5		17.5		22																													
B10	44		54		66		80		95		104		120		140		180		200																													
B11	22		27		33		40		47.5		52		60		70		90		100																													
B12	M6		x P1.0		M8		x P1.25		M10		x P1.5		M12		x P1.75		M12		x P1.75		M14		x P2.0		M16		x P2.0		M16		x P2.0		M16		x P2.0		M20		x P2.0									
C1	88		108		132		156		172		187		212		242		298		332																													
C2	44		54		66		78		86		93.5		106		121		149		166																													
C3	60		80		100		120		138		146		166		196		250		280																													
C4	2		2		2		2		2		2		2		3		3																															
C5	6		8		8		12		14		16		18		22		25																															
C6	22.8		28.3		33.3		43.3		51.8		59.3		64.3		74.9		85.4		95.4																													
C7	20		25		30		40		48		55		60		70		80		90																													
C8	9		14		18		23		27		32		38		42		50		56																													
Weight $\pm 3\%$ (kg)	2.5		4.8		8.5		14.1		23.2		35.5		46.3		71.1																																	