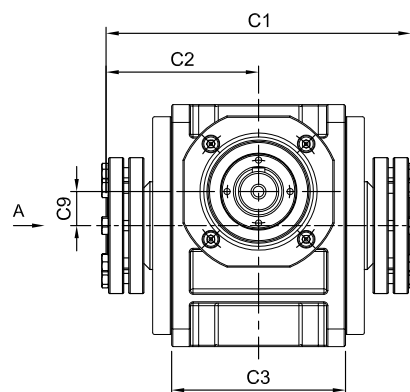
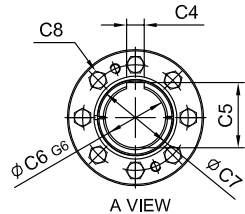
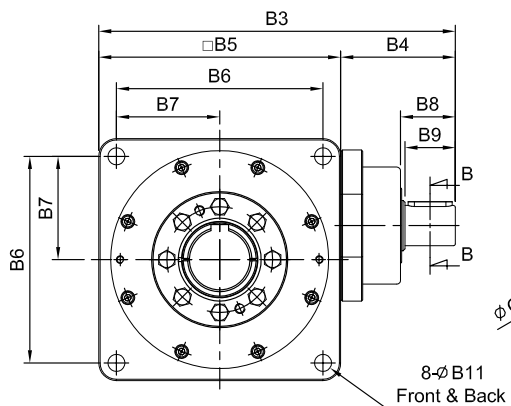
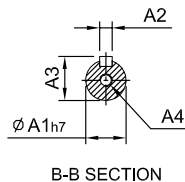
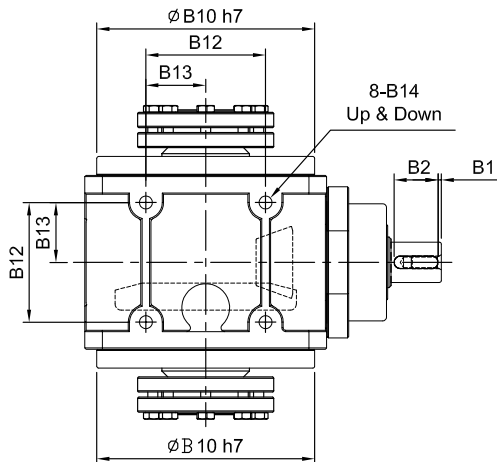
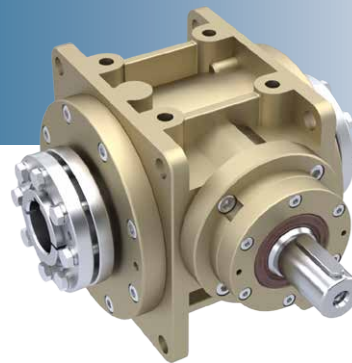


# HY-DM series

RATIO : 5.10.15 ( 單段 1-Stage)

單入力軸心 - 雙邊免鍵軸套

Single Input Shaft - Double Clamping



unit: mm

Model Code	55	75	90	115	130	140	160	190	230	270
<b>A</b>										
A1	14	19	24	28	32	32	38	40	55	60
A2	5	6	8	8	10	10	12	12	16	18
A3	16	21.5	27	31	35	35	41	43	59	64
A4	M5 x P0.8	M6 x P1.0	M8 x P1.25	M10 x P1.5	M10 x P1.5	M10 x P1.5	M12 x P1.75	M12 x P1.75	M16 x P2.0	M16 x P2.0
<b>B</b>										
B1	2.5	2.5	2.5	2.5	5	5	5	5	5	5
B2	20	25	35	35	40	40	50	50	70	90
B3	147	181	218	260	293	315	367	403	483	567
B4	57	66	78	90	101	100	127	139	183	217
B5	90	115	140	170	192	215	240	264	300	350
B6	78	98	118	144	164	182	206	224	260	300
B7	39	49	59	72	82	91	103	112	130	150
B8	27	32	42.5	42.5	52.5	51.5	63	63.5	83	105
B9	25	30	40	40	50	50	60	60	80	100
B10	84	103	128	148	173	200	227	254	295	328
B11	6.8	9	11	11	13.5	15	17.5	17.5	17.5	22
B12	44	54	66	80	95	104	120	140	180	200
B13	22	27	33	40	47.5	52	60	70	90	100
B14	M6 x P1.0	M8 x P1.25	M10 x P1.5	M12 x P1.75	M12 x P1.75	M14 x P2.0	M16 x P2.0	M16 x P2.0	M16 x P2.0	M20 x P2.0
<b>C</b>										
C1	130	160	188	222	242	261	286	320	390	424
C2	65	80	94	111	121	130.5	143	160	195	212
C3	60	80	100	120	138	146	166	196	250	280
C4	-	-	-	-	14	16	18	20	22	25
C5	-	-	-	-	51.8	59.3	64.3	74.9	85.4	95.4
C6	20	25	30	40	48	55	60	70	80	90
C7	28	34	44	52	60	73	73	83	100	110
C8	6-M6	8-M6	8-M6	8-M6	8-M8	12-M8	12-M8	12-M8	12-M8	12-M10
C9	9	14	18	23	27	32	38	42	50	56
Weight ±3% (kg)		5.4	9.9	15.9		29.3		56.0		