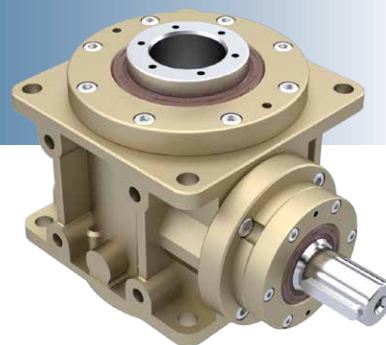


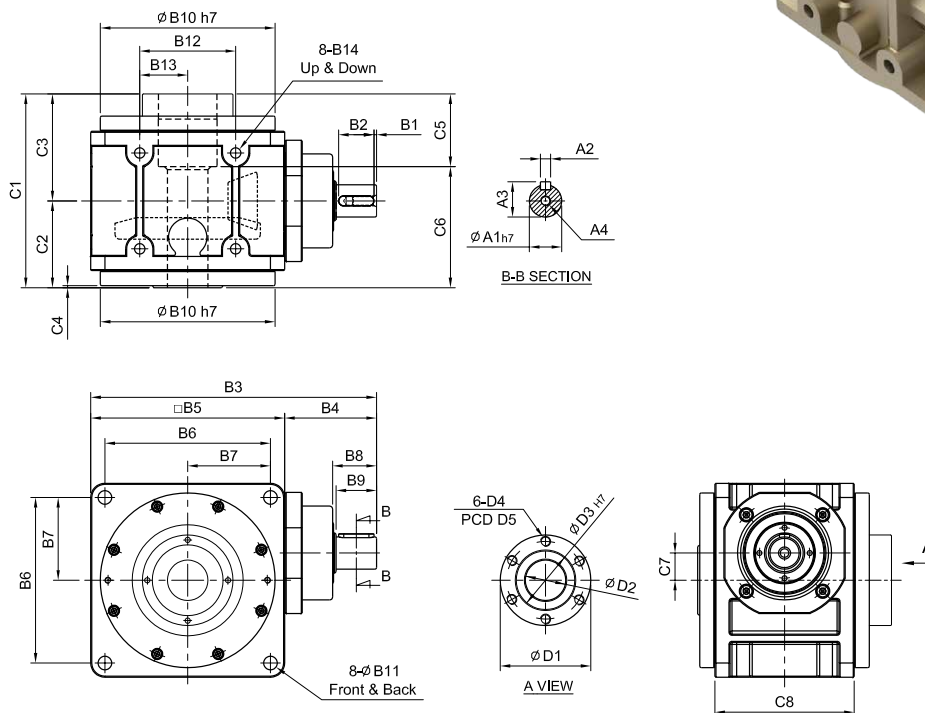
HY-DP series

RATIO : 5.10.15 (單段 1-Stage)



單入力軸心 - 螺桿式

Single Input Shaft - Ball Screw



unit: mm

Model Code	75	90	115	130	140	160	190	230	270	
A	A1	19	24	28	32	32	38	40	55	60
	A2	6	8	8	10	10	12	12	16	18
	A3	21.5	27	31	35	35	41	43	59	64
	A4	M6 x P1.0	M8 x P1.25	M10 x P1.5	M10 x P1.5	M10 x P1.5	M12 x P1.75	M12 x P1.75	M16 x P2.0	M16xP2.0
B	B1	2.5	2.5	2.5	5	5	5	5	5	5
	B2	25	35	35	40	40	50	50	70	90
	B3	181	218	260	293	315	367	403	483	567
	B4	66	78	90	101	100	127	139	183	217
	B5	115	140	170	192	215	240	264	300	350
	B6	98	118	144	164	182	206	224	260	300
	B7	49	59	72	82	91	103	112	130	150
	B8	32	42.5	42.5	52.5	51.5	63	63.5	83	1108
	B9	30	40	40	50	50	60	60	80	100
	B10	103	128	148	173	200	227	254	295	328
	B11	9	11	11	13.5	15	17.5	17.5	17.5	22
	B12	54	66	80	95	104	120	140	180	200
	B13	27	33	40	47.5	52	60	70	90	100
	B14	M8 x P1.25	M10 x P1.5	M12 x P1.75	M12 x P1.75	M14 x P2.0	M16 x P2.0	M16 x P2.0	M16 x P2.0	M20xP2.0
C	C1	125	140	177	193	205	230	260	313	348
	C2	58	66	78.5	87	94	107	123	149	167
	C3	67	74	98.5	106	111	123	137	164	181
	C4	3.25	2	2.5	2	2.5	2.5	3	3	4
	C5	50	58	72	72	82	92	117	117	117
	C6	75	82	105	121	123	138	143	196	231
	C7	14	18	23	27	32	38	42	50	56
	C8	80	100	120	138	146	166	196	250	280
D	D1	54.5	64.5	89.5	89.5	99.5	117.5	129.5	139.5	159.5
	D2	22	30	38	40	44	54	65	65	82
	D3	34	40	58	58	64	75	90	90	110
	D4	M5 x P0.8	M5 x P0.8	M10 x P1.5	M10 x P1.5	M10 x P1.5	M12 x P1.75	M12 x P1.75	M12 x P1.75	M12xP1.75
	D5	45	51	77	77	84	97	112	112	132
Weight $\pm 3\%$ (kg)			8.6							